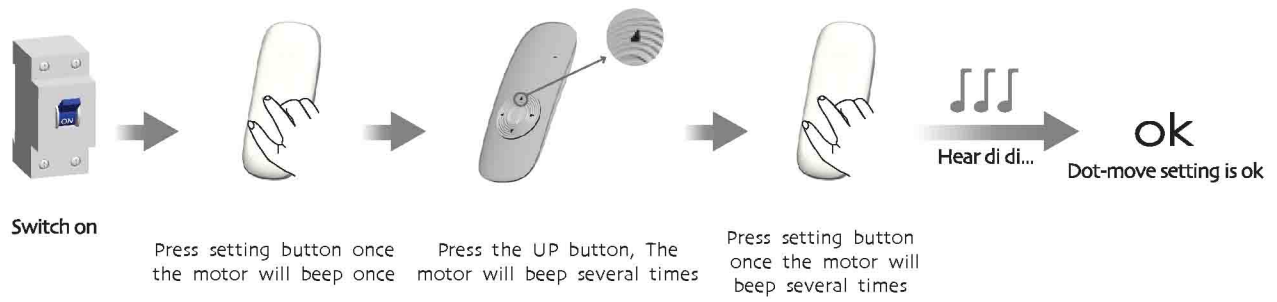




### Dot-move setting

Additional Function



! repeat setting, function is cancelled



All controls support 433MHz & 868MHz & 447MHz  
All controls support 230V/50Hz & 120V/60Hz  
All the parameters to the nameplate shall prevail



CE  
R: Radio  
Mechanic Limit + Built-in Receiver

By DM35R DM45RM  
DM45R DM59RM  
DM59R DM45RQ



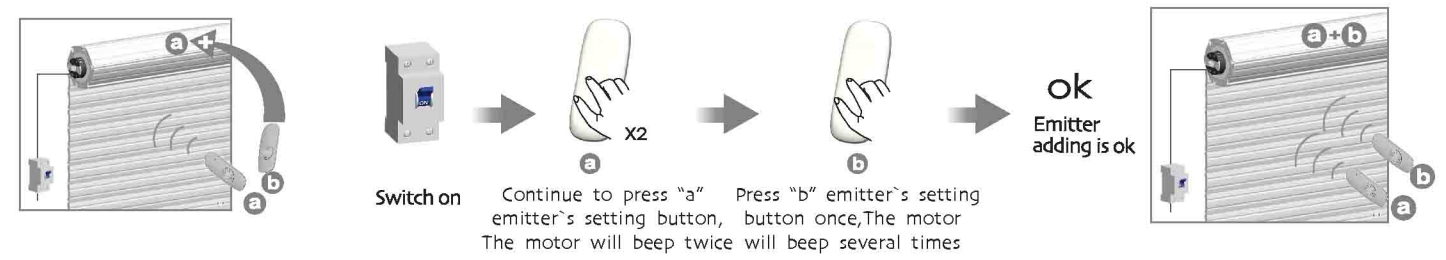
### Radio Tubular Motor Specification

Version No. : B/05



### Add Emitter

Additional Function

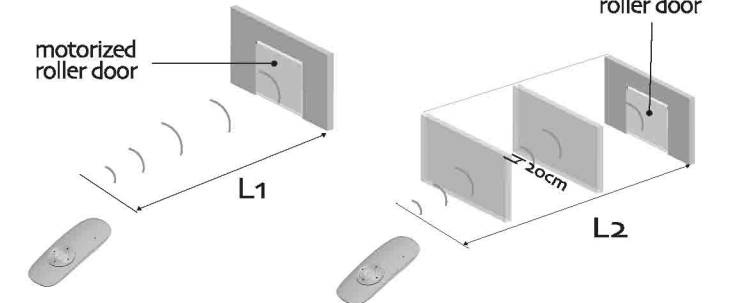


### Technical Support

- 5-channel emitter = single channel emitter x 5  
One channel of emitter can control 20 receivers at most at the same time.
- Radio Tubular Motor  
One R motor maximum can store 20 channels, over 20 channels, if still need add new channels, it will be repeating covered in turn from second channel.

! 477 MHz R type motor has no running hint

### Control Range



	L1 Open	L2 Partition	Emission frequency
230V/50Hz	200m	35m	433.92MHz
120V/60Hz	200m	35m	

! In the process of set up emitter and R type motor, every time press the key, motor will whistle one time as the signal (not press any key within 4 seconds after the whistle, the motor will turn to the original state). After the success of the set up, motor continuous whistle many times as signal.

Receiver in the mode of dot function, press up key and down key within 2 seconds, emitter control motor working in dot function; if continuous press more than 2 seconds motor will last working.

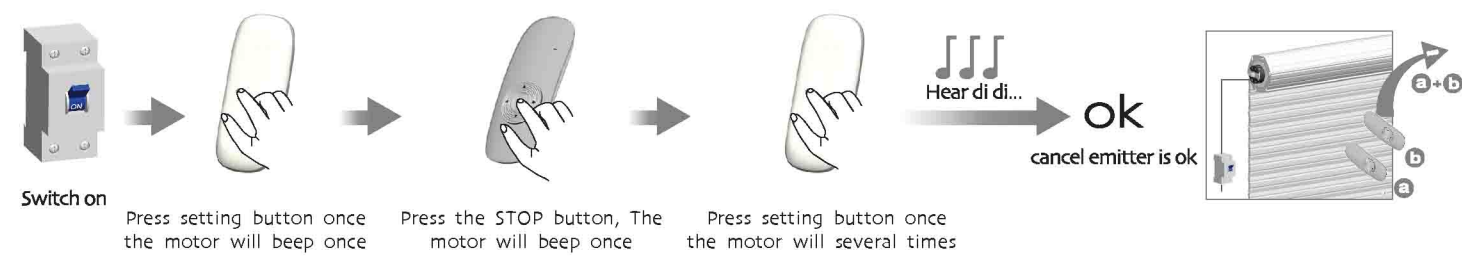
Group control channel match code is unworkable, when group channel work together, the emitter can't be programmed, while function of dot-move, emitter-add and emitter-cancel still means.



### Cancel Emitter

Additional Function

! Canceling emitter is that remove all the emitter memory of the motor



### Matchable emitter and motors

Technical Support

! For the emitters without setting button like DC316, your can press Up button and Stop button at the same time to work as the same function as setting button.



- DM35R R: Radio  
Mechanic Limit + Built-in Receiver
- DM45R R: Radio  
Mechanic Limit + Built-in Receiver
- DM45RQ RQ: Quiet Radio  
Mechanic Limit+ Built-in Receiver + Quiet Device
- DM45RM RM: Radio With Manual  
Mechanic Limit + Built-in Receiver + Manual
- DM59R R: Radio  
Mechanic Limit + Built-in Receiver
- DM59RM RM: Radio With Manual  
Mechanic Limit + Built-in Receiver + Manual



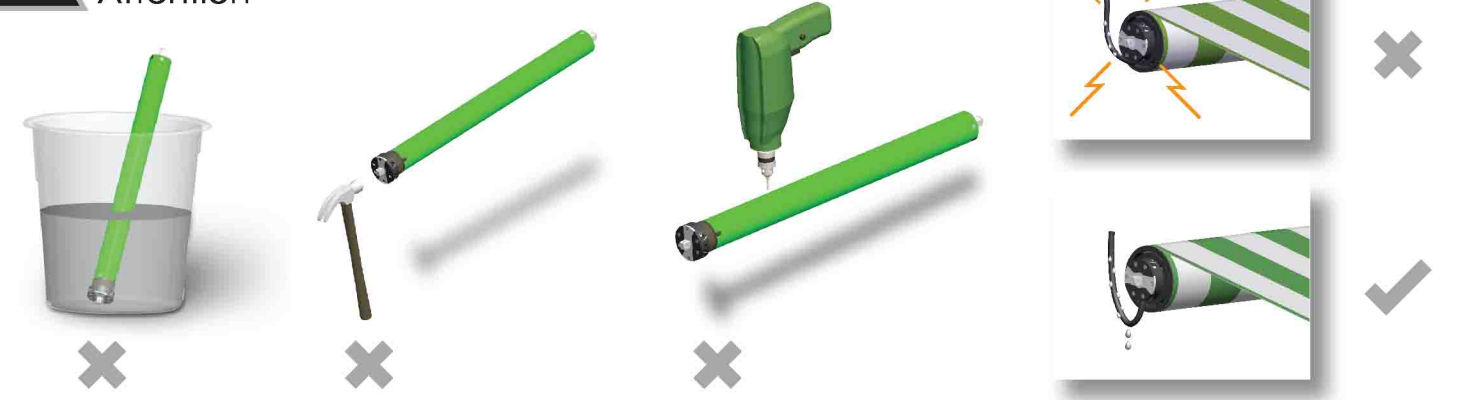
### Common failures and solutions

Attention

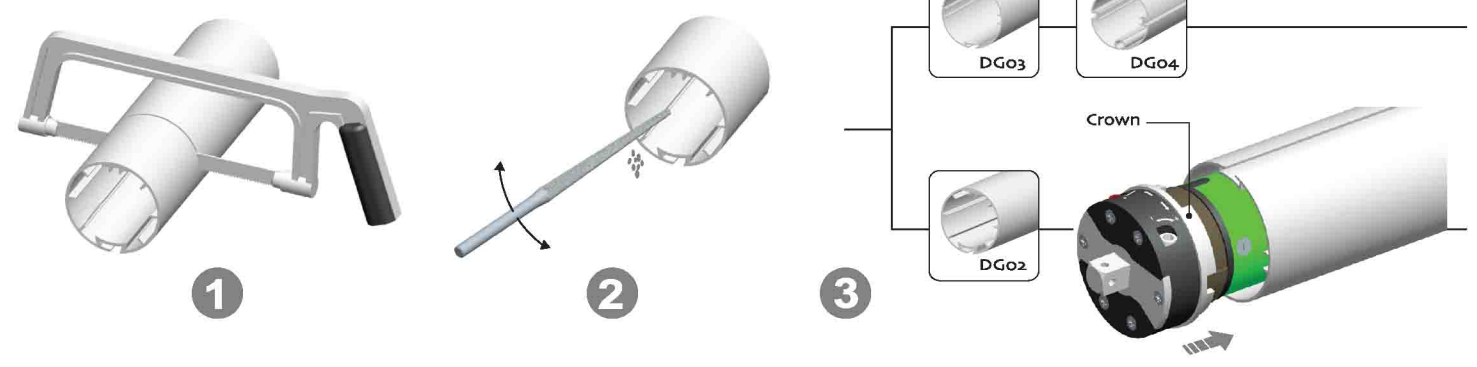
	Fail-phenomena	Failure causes	solutions failure recovery
1	Switch on, the drive adapter runs in one-way operation	Inside limit switch of motor doesn't open	Crown running one circle in the opposite direction of the drive adapter, then it works
2	motor starts slowly or not work after connect power	a. Power voltage is slow b. Wiring error c. Overload d. Improper installation	a. Adjust power to rated data b. Check circuit and correct wiring connecting c. Rated torque associated with the installation of the load d. Re-install the motor
3	Motor stops suddenly after running	Motor stops suddenly after running	Motor will automatically resume work after 20 minutes cooling
4	Abnormal sound during roller blinds in operation	Outer tube is too long, led the rolling shutter connects with both sides of bracket too tightly	If idler is active, propering make the tube shorter to avoid too tight status.



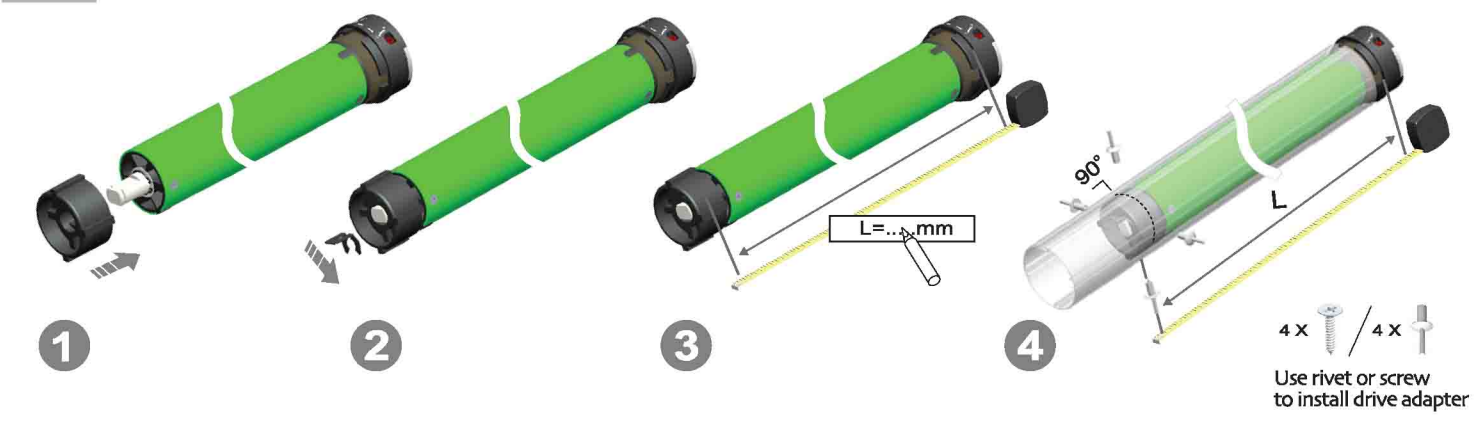
### Attention



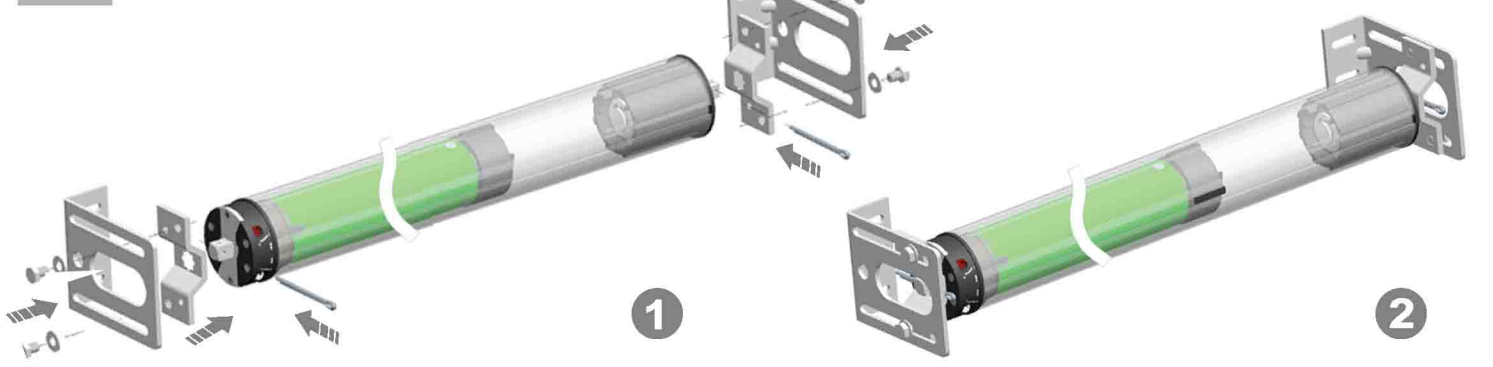
# 1 Crown installation



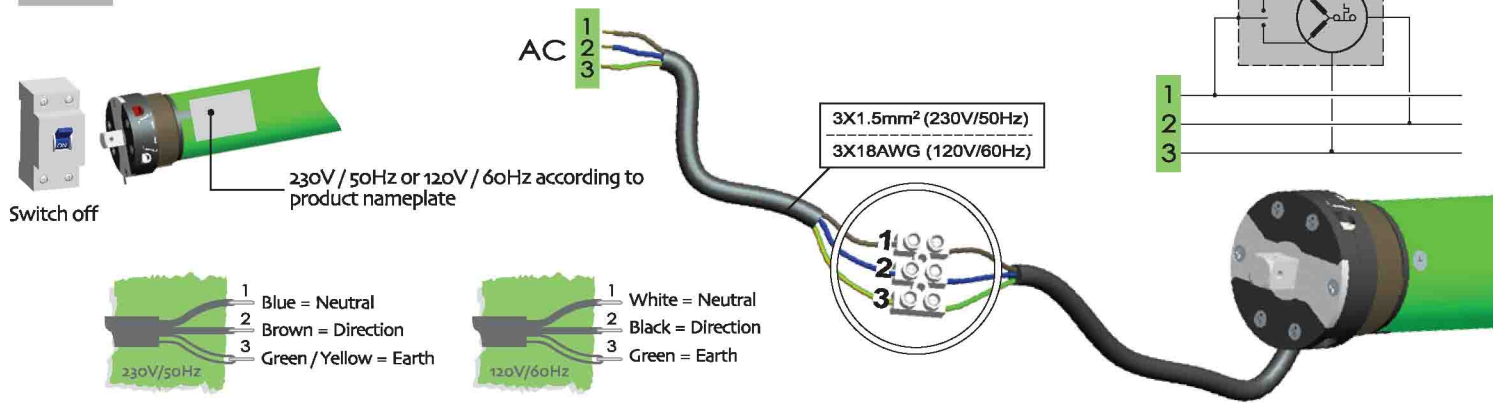
# 2 Drive adapter installation



# 3 Bracket installation

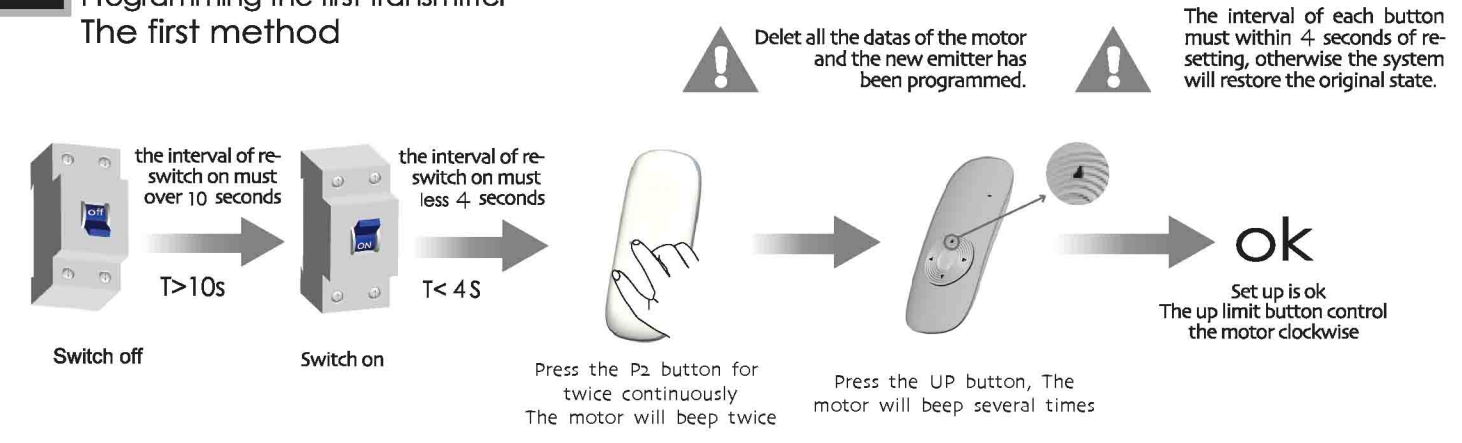


# 4 Circuit installation

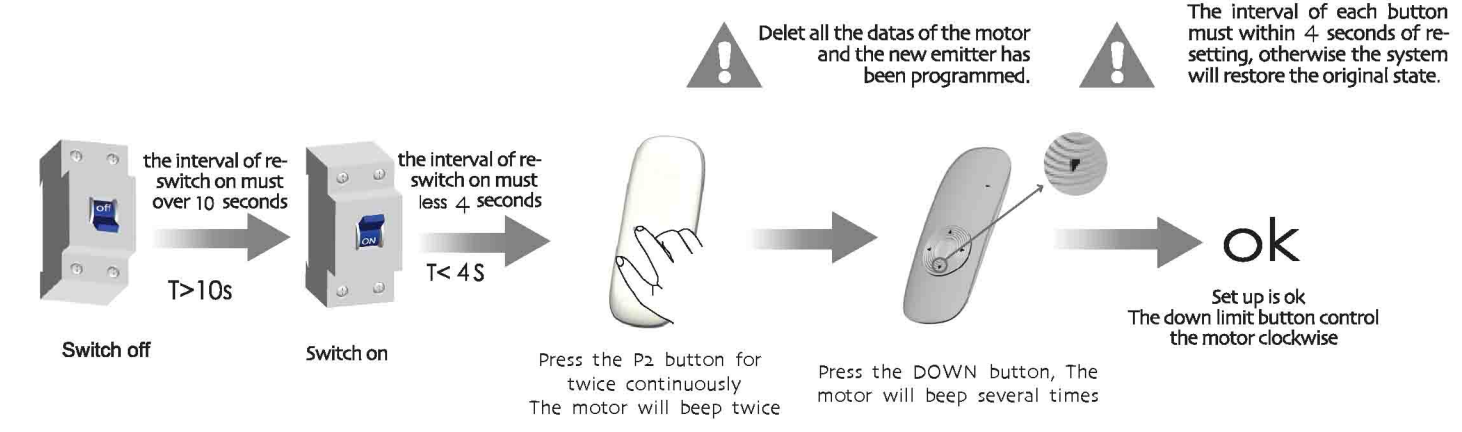


# 5 Programming the first transmitter

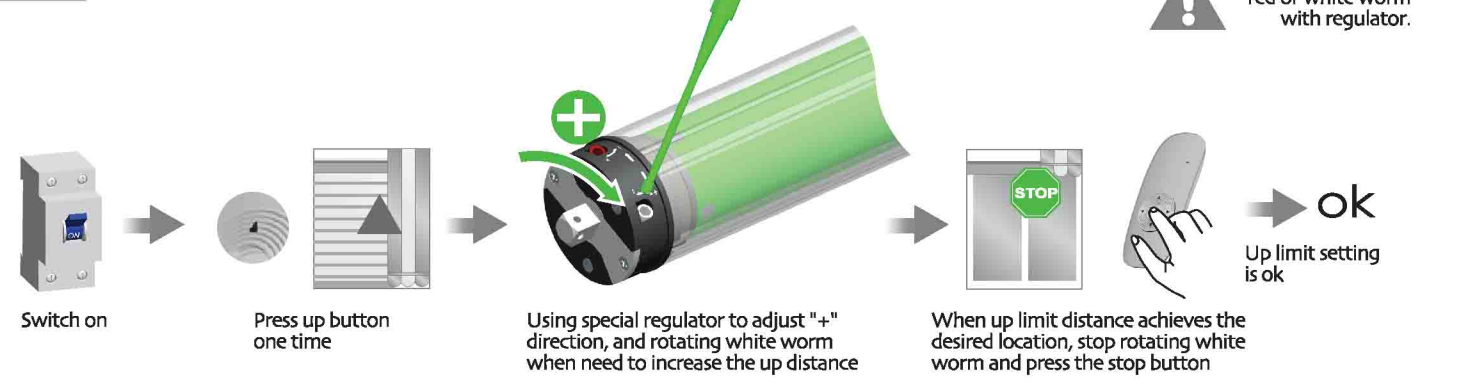
## The first method



## The second method



# 6 Up limit setting



# 7 Down limit setting

