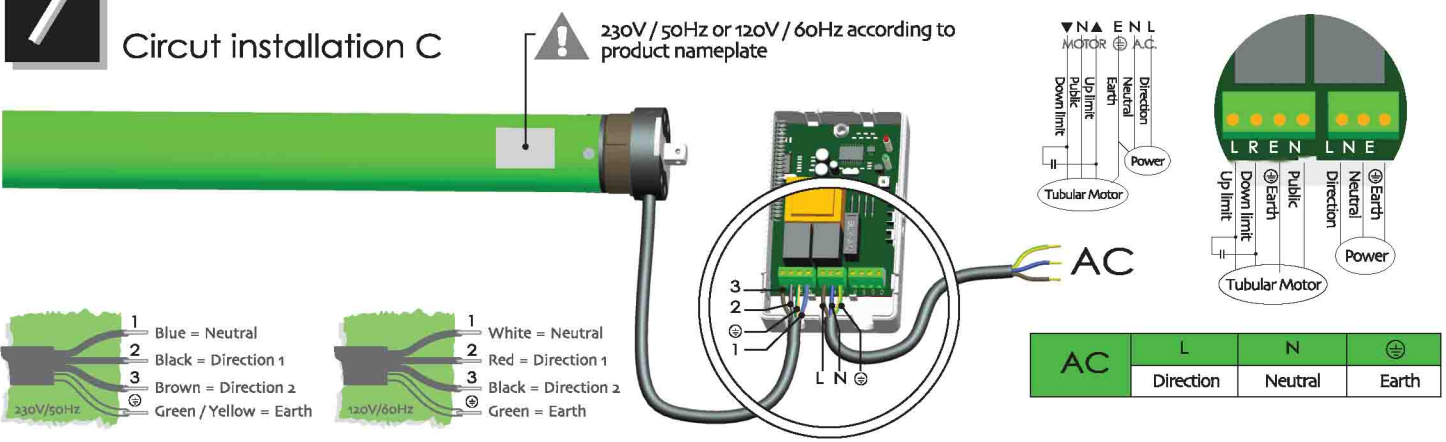


7

Circuit installation C



Standard Tubular Motor Specification



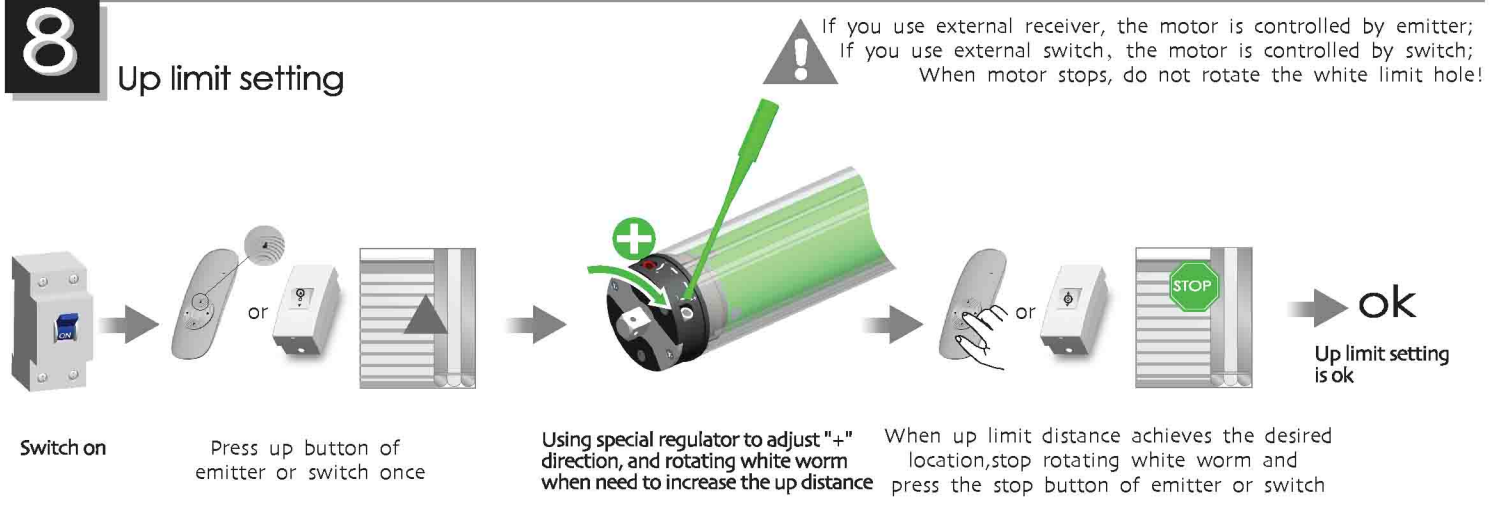
S: Standard Mechanic Limit

By DM35S
DM45S
DM50S
DM35SD
DM45SD



8

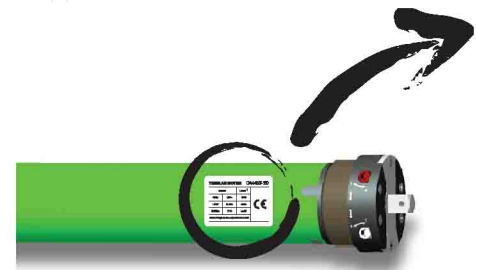
Up limit setting



T

Technical Support

Product Nameplate



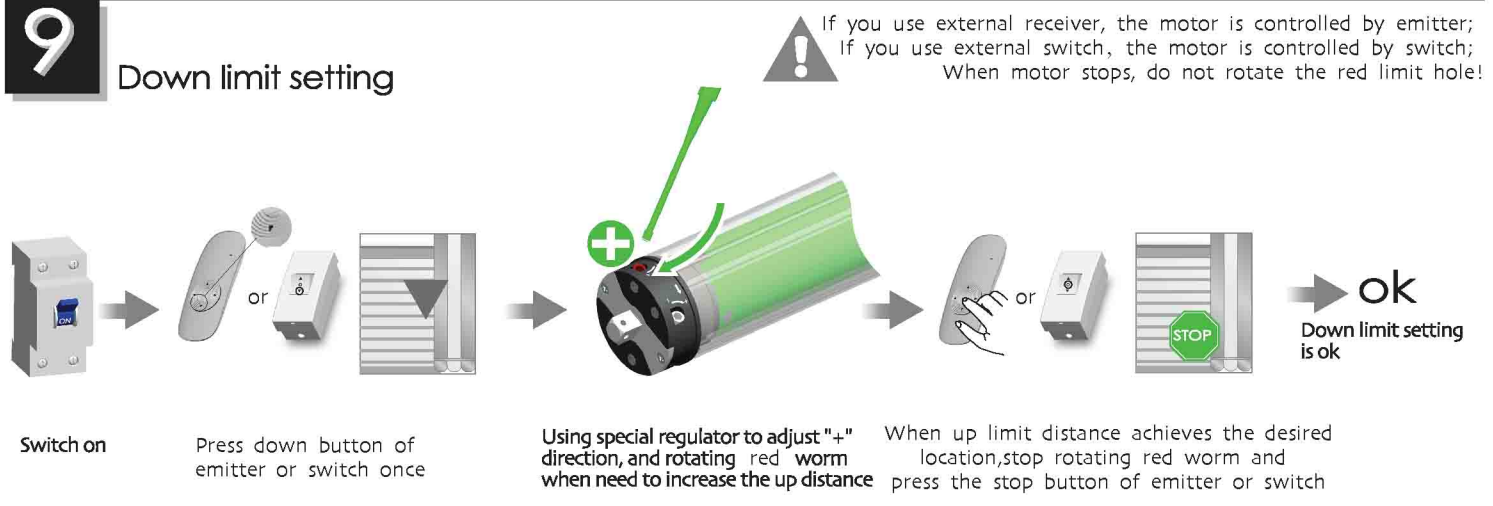
Rated Current	Frequency	Work Time	Motor Model
Rated Torque	Rated Voltage	Rated Power	Rated Speed
Rated Power	Motor Weight	Motor Model	Diameter Of The Motor Tube
Motor Weight	Product Certificate	Insulation Degree	Protection Degree

Model Of Motor: **DM 45 S - 20 / 15**

Tubular Motor Tube Diameter Standard Type Rated Torque (N.m) Rated Speed (rpm)

9

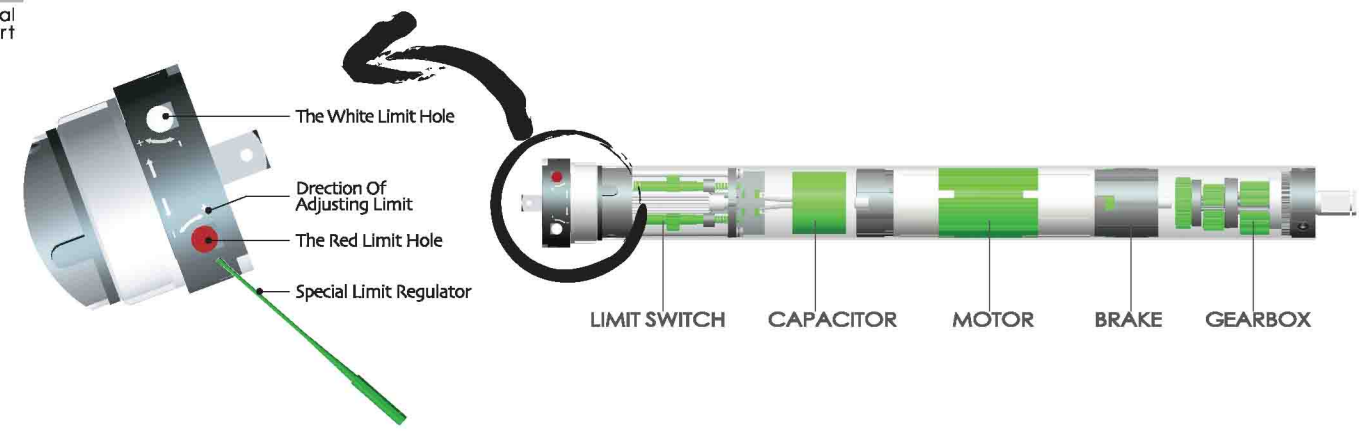
Down limit setting



T

Technical Support

Instruction Of The Motor



!

Attention

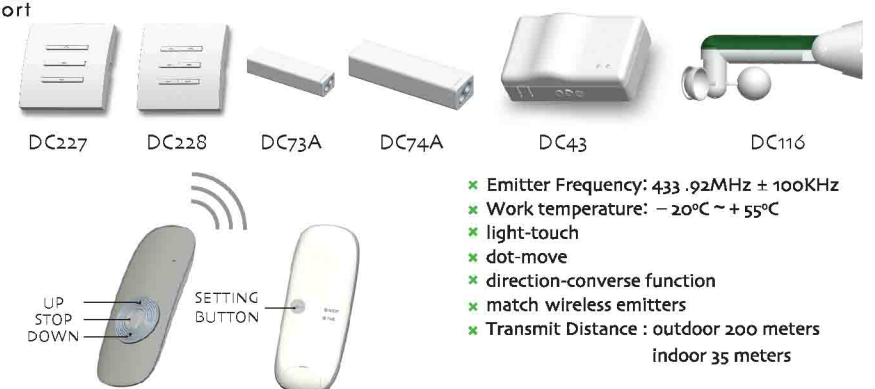
Common failures and solutions

	Fail-phenomena	Failure causes	solutions failure recovery
1	Press the upward button of the controller, the shutter move downward	Inside wire connecting of the controller is wrong	Exchange the position of black wire and brown wire
2	Switch on, the drive adapter runs in one-way operation	Inside limit switch of motor doesn't open	Crown running one circle in the opposite direction of the drive adapter, then it works
3	motor starts slowly or not work after connect power	a. Power voltage is slow b. Wiring error c. Overload d. Improper installation	a. Adjust power to rated data b. Check circuit and correct wiring connecting c. Rated torque associated with the installation of the load d. Re-install the motor
4	Motor stops suddenly after running	Motor stops suddenly after running	Motor will automatically resume work after 20 minutes cooling
5	Abnormal sound during roller blinds in operation	Outer tube is too long, led the rolling shutter connects with both sides of bracket too tightly	If idler is active, propering make the tube shorter to avoid too tight status.

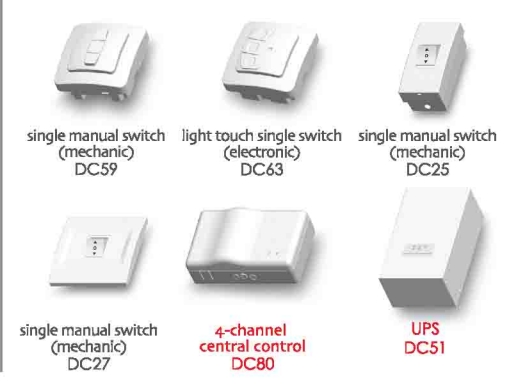
A

Technical Support

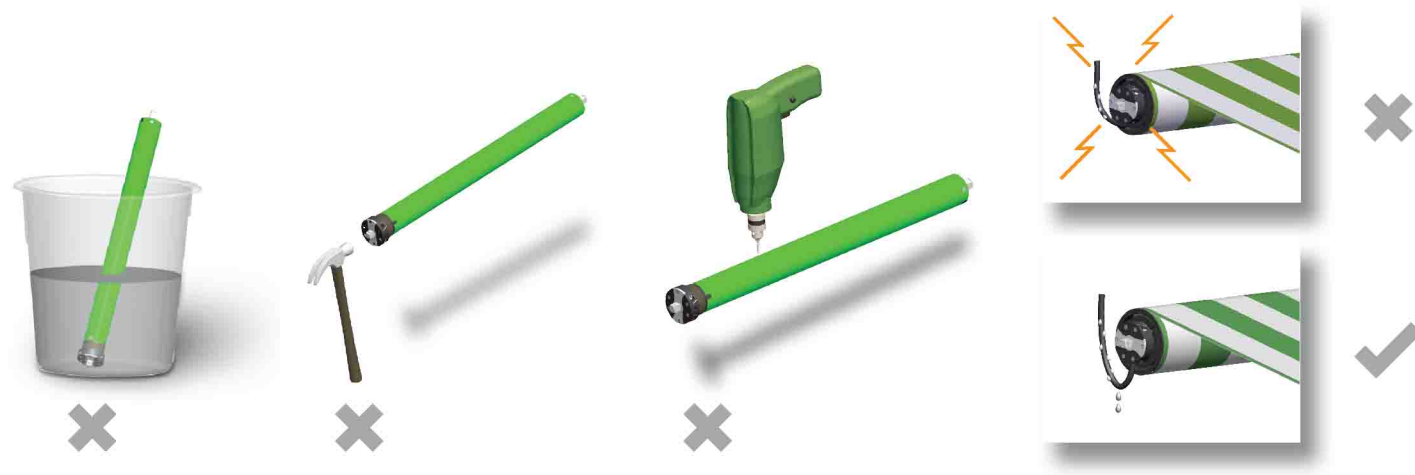
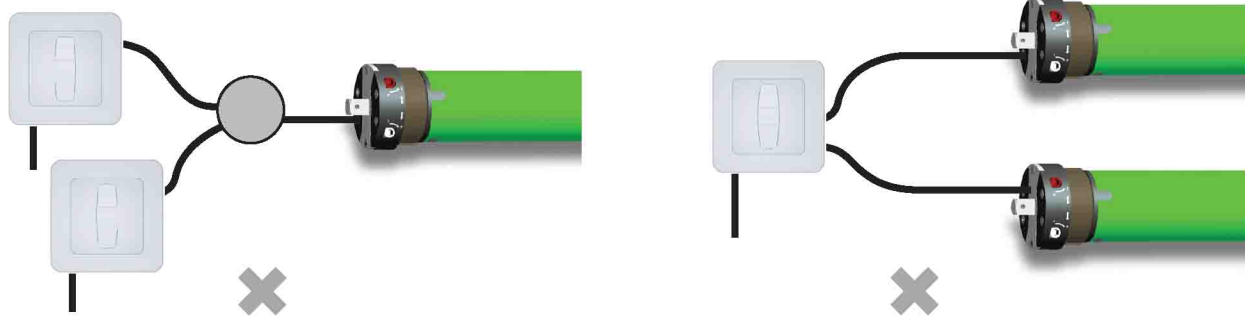
Matchable Control System



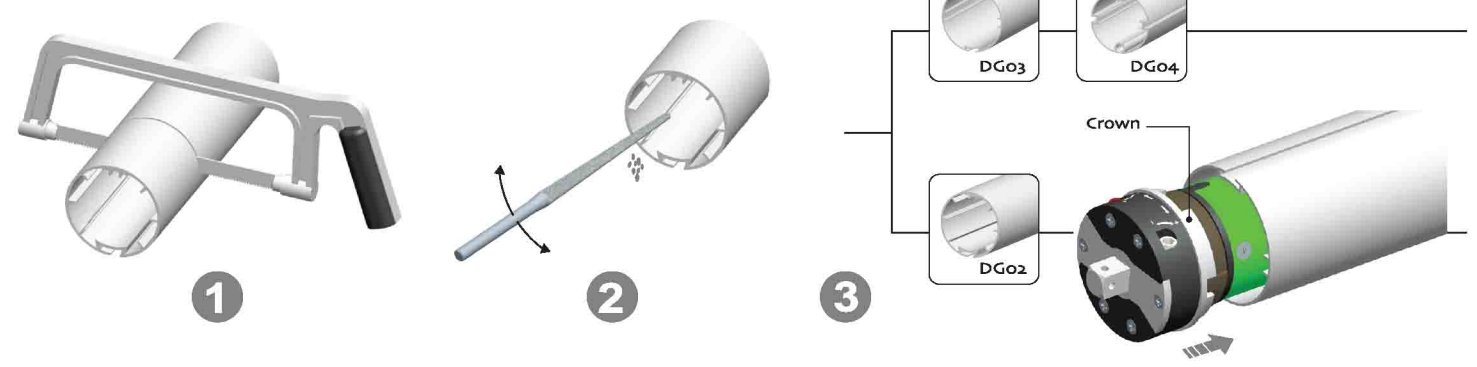
Others Control System



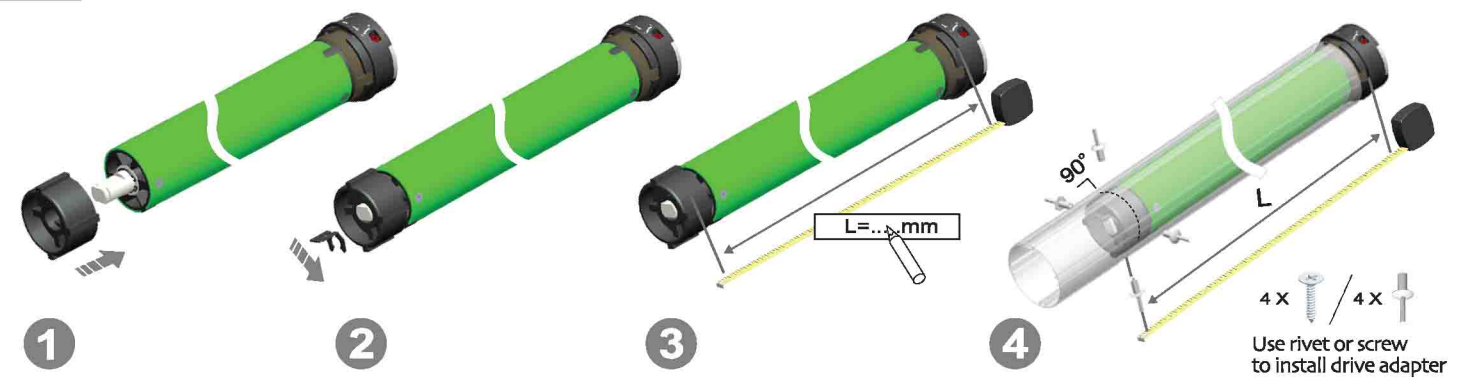
! Attention



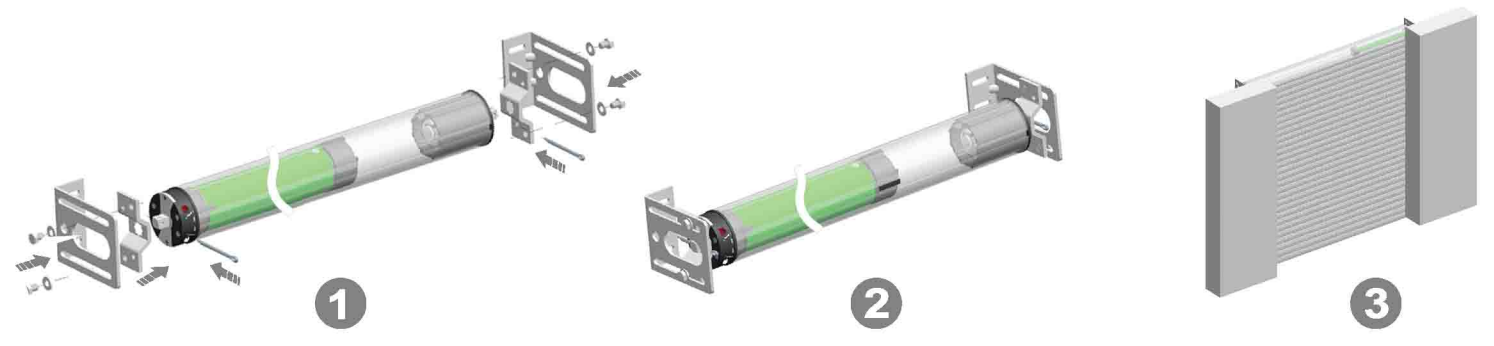
1 Crown installation



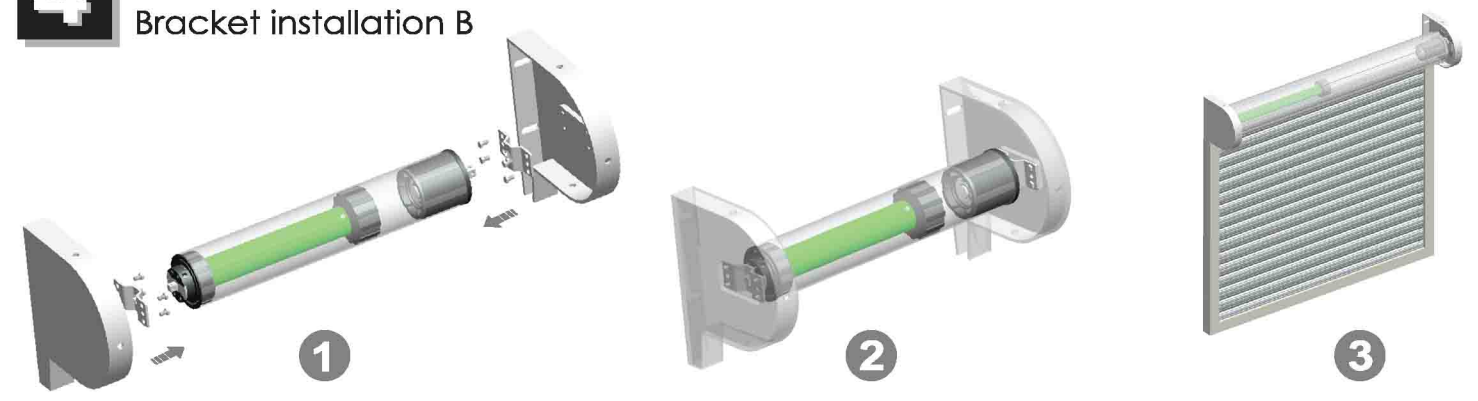
2 Drive adapter installation



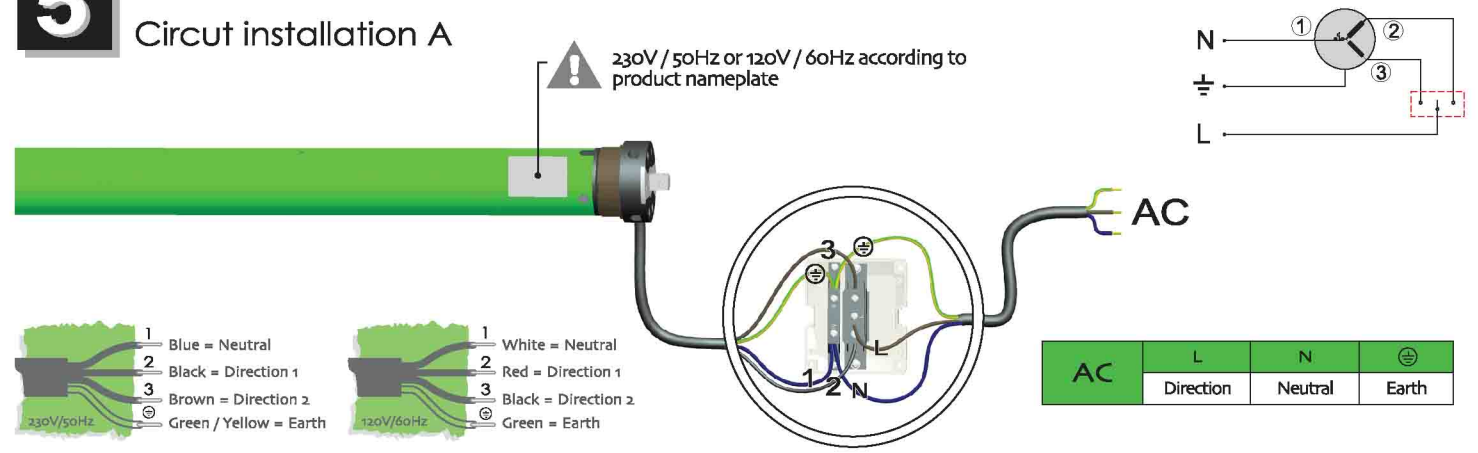
3 Bracket installation A



4 Bracket installation B



5 Circuit installation A



6 Circuit installation B

