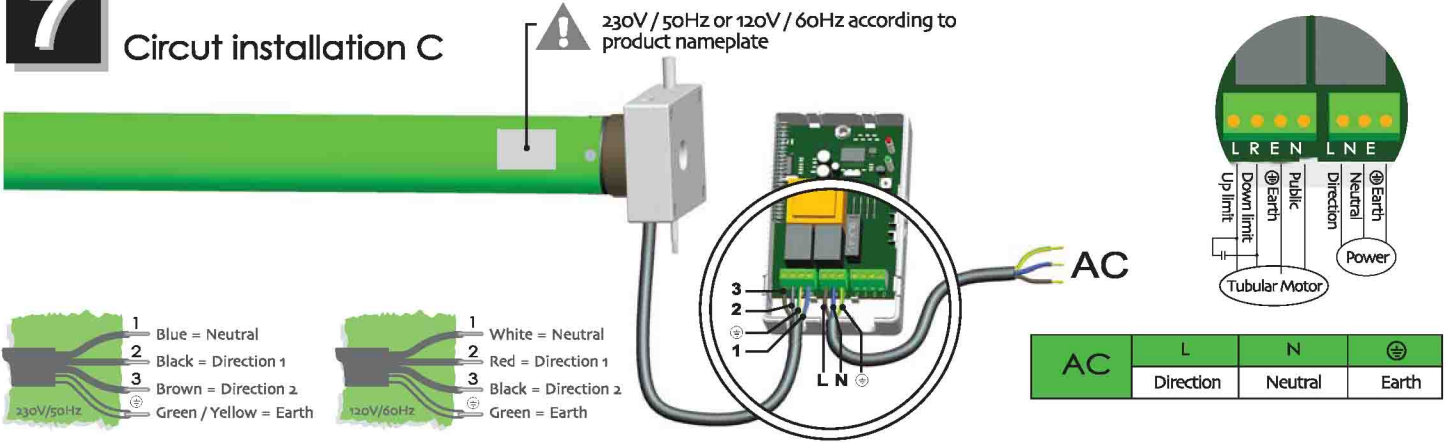


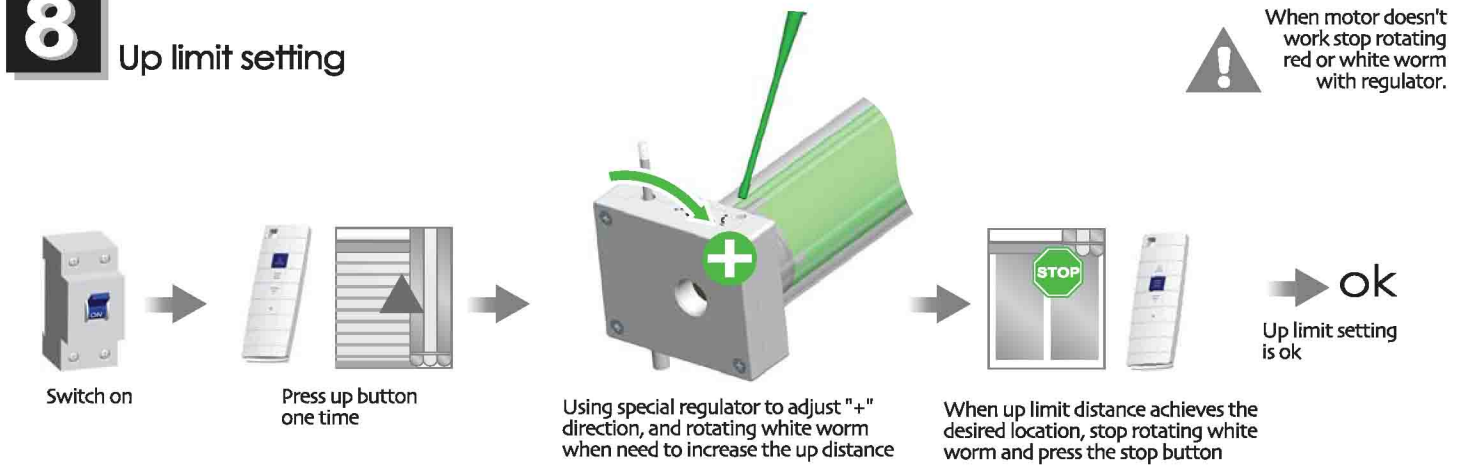
7

Circuit installation C



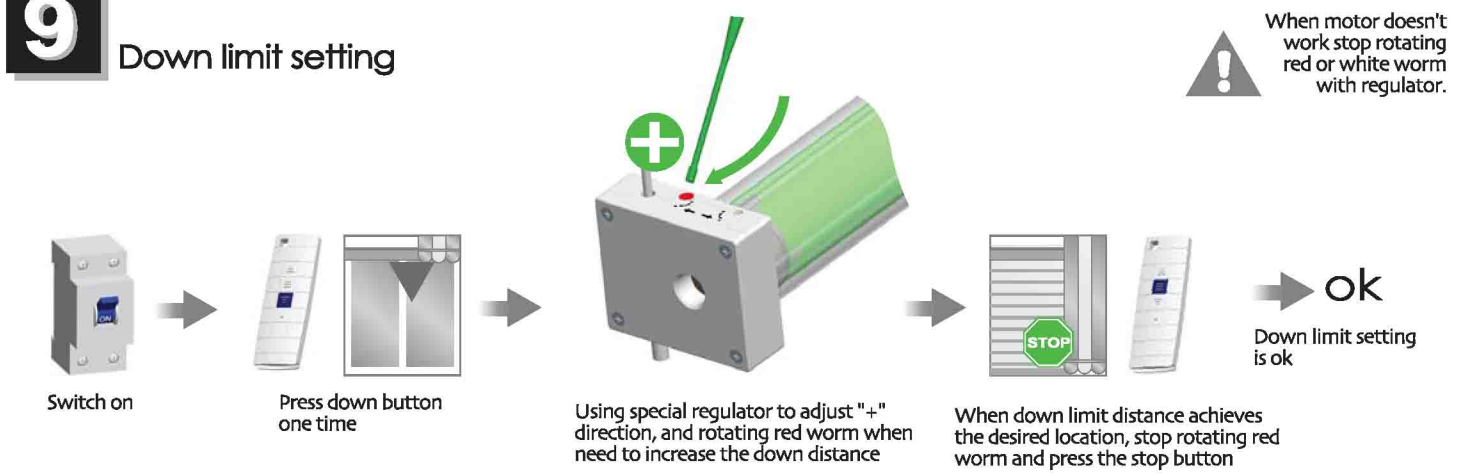
8

Up limit setting



9

Down limit setting



!

Common failures and solutions

Attention	Fail-phenomena	Failure causes	solutions failure recovery
1	Press the upward button of the controller, the shutter move downward	Inside wire connecting of the controller is wrong	Exchange the position of black wire and brown wire
2	Switch on, the drive adapter runs in one-way operation	Inside limit switch of motor doesn't open	Crown running one circle in the opposite direction of the drive adapter, then it works
3	motor starts slowly or not work after connect power	a. Power voltage is slow b. Wiring error c. Overload d. Improper installation	a. Adjust power to rated data b. Check circuit and correct wiring connecting c. Rated torque associated with the installation of the load d. Re-install the motor
4	Motor stops suddenly after running	Motor stops suddenly after running	Motor will automatically resume work after 20 minutes cooling
5	Abnormal sound during roller blinds in operation	Outer tube is too long, led the rolling shutter connects with both sides of bracket too tightly	If idler is active, propering make the tube shorter to avoid too tight status.

Clutch Manual Tubular Motor Specification



M: Manual
Mechanic Limit + Manual

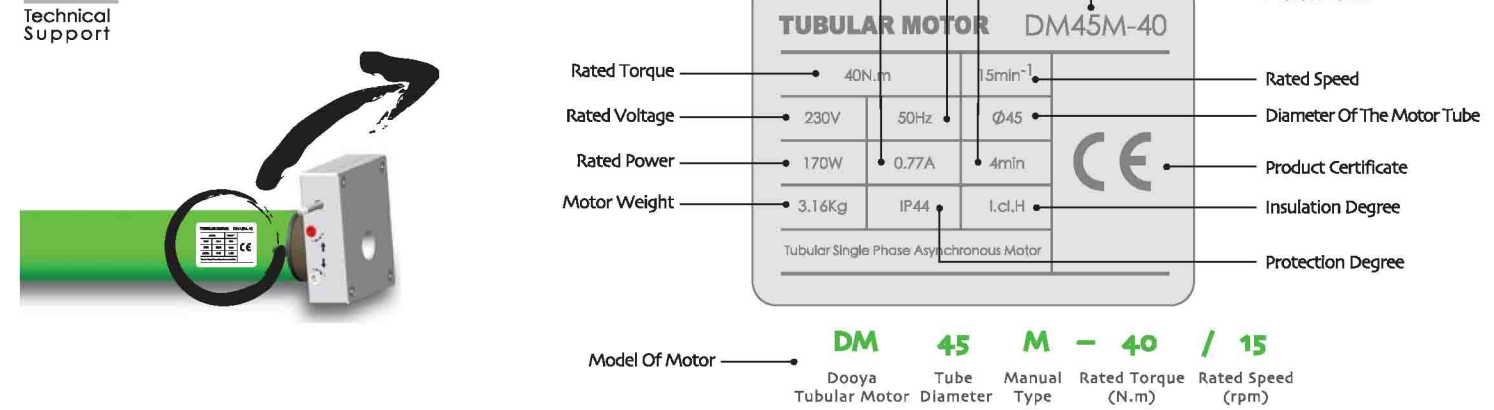
By DM45M
DM59M



Version No. : A/01

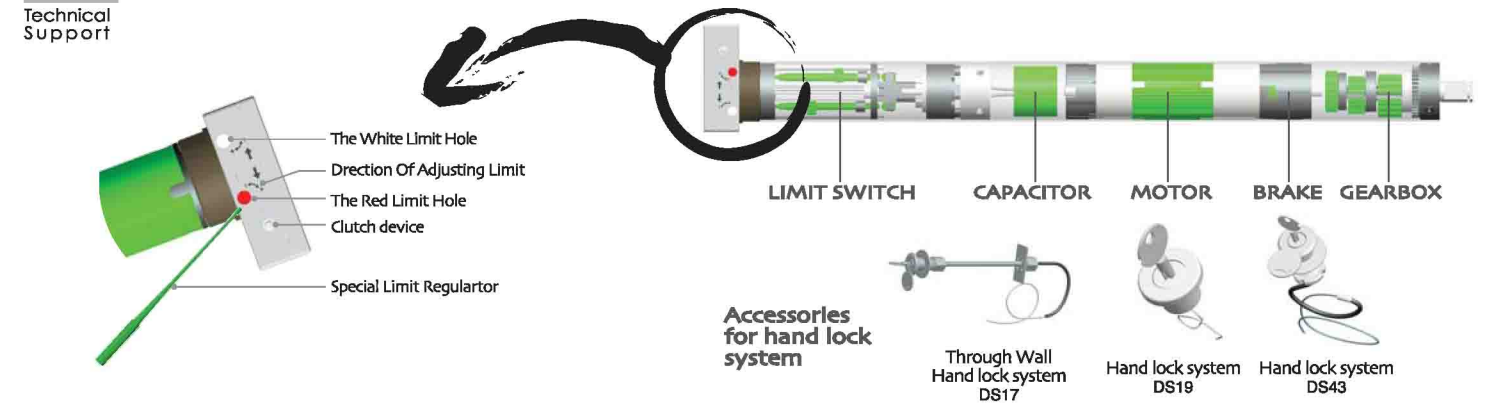
T

Product Nameplate



T

Instruction Of The Motor

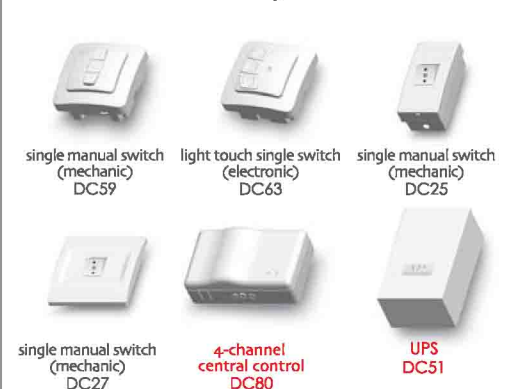


A

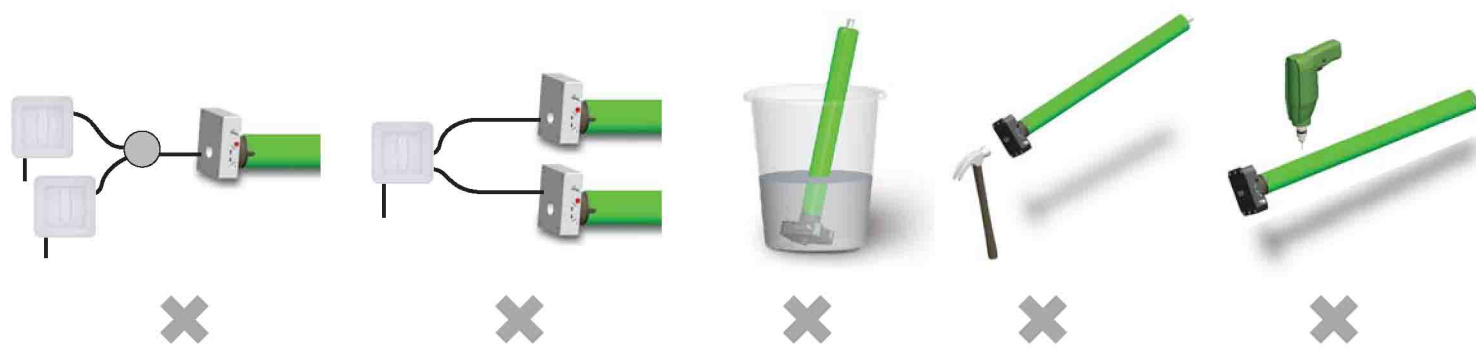
Matchable Control System



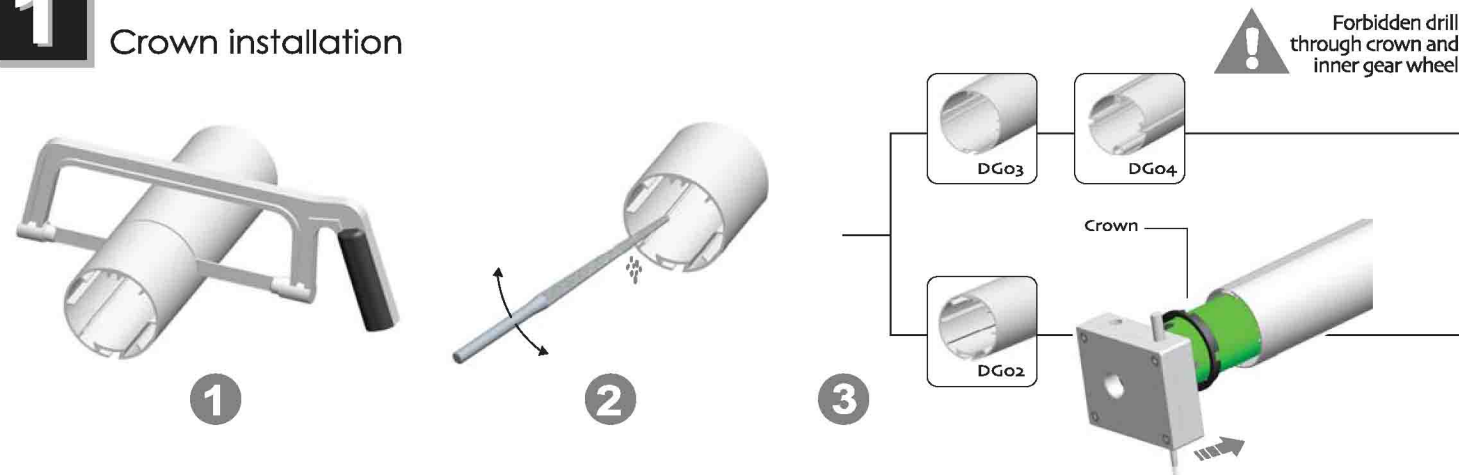
Other Control System



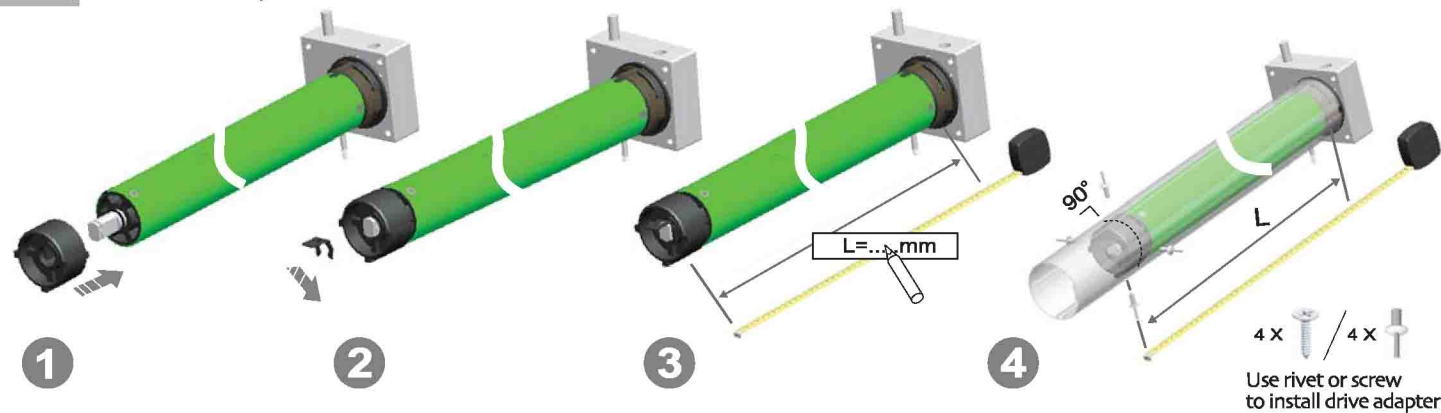
! Attention



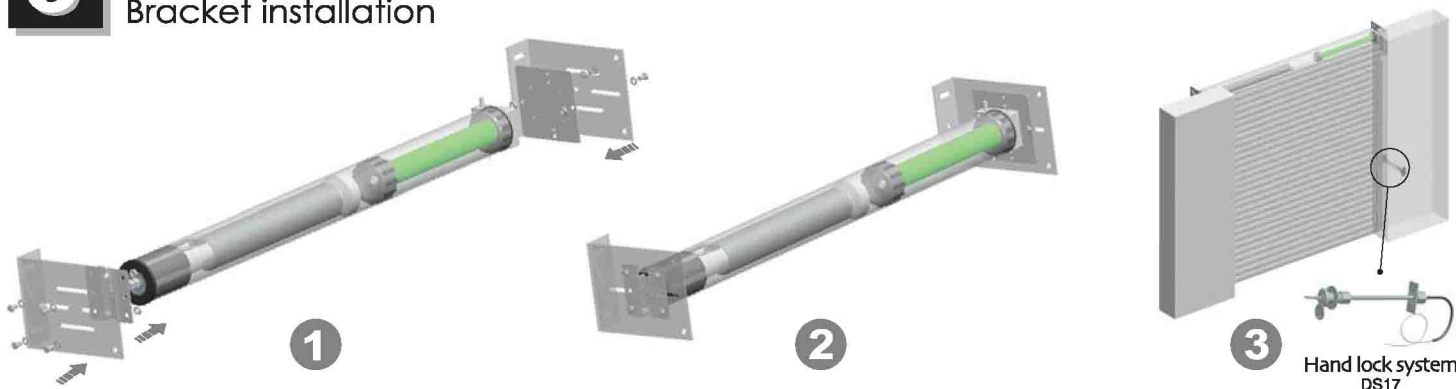
1 Crown installation



2 Drive adapter installation

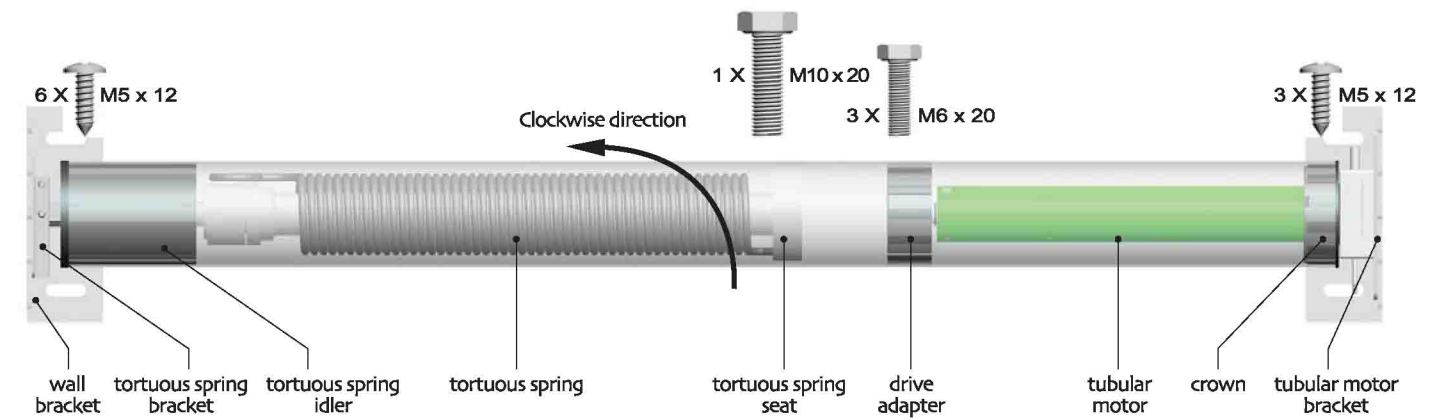


3 Bracket installation



4 Tortuous spring test

! If the motor power is not cut off or the door is not mounted on the drive adapter, don't use the clutch



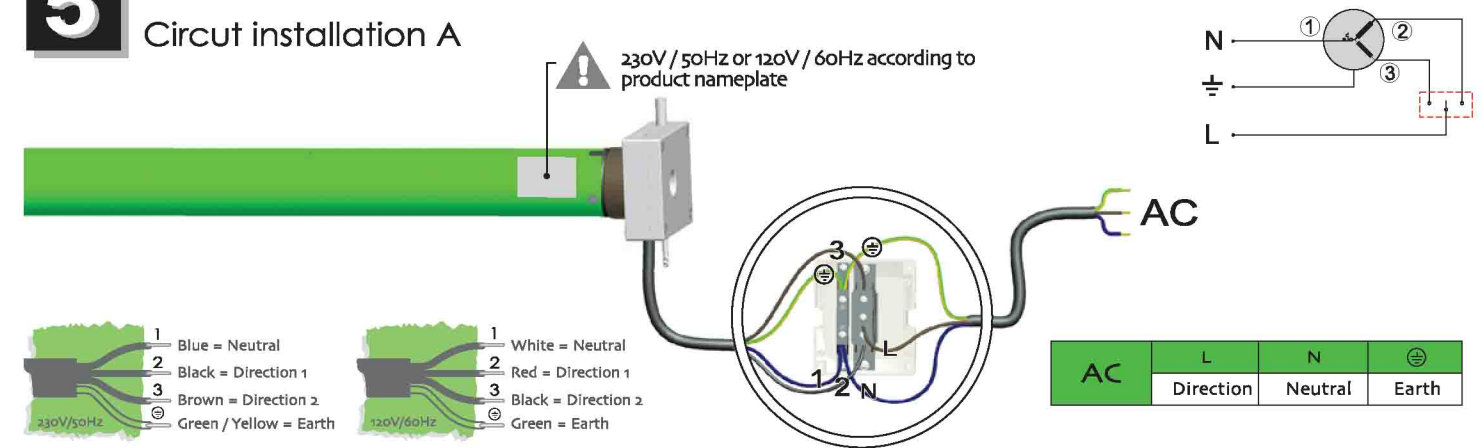
- 1 Before the door is mounted on the outer tube, make the motor work clockwise for six rounds. (one man stand in front of the motor limit switch head, as the arrow shows, then fix door slat on the outer tube)
- 2 Open the clutch to test, feel too heavy to push the door upward, and too light downward, this shows that the spring's strength is not enough. So the door should be dismantled down, and make the motor work clockwise for one round, then mount the door on the outer tube to test.
- 3 Open the clutch to test, feel too heavy to push the door downward, and too light upward, this shows that the spring's strength is too large. So the door should be dismantled down, and make the motor work counter clockwise for one round, then mount the door on the outer tube to test.



Selection of tortuous spring

- 1 When stand in front of the door, the tortuous spring in direction of your left hand is called lefttortuous spring, in right side is right tortuous spring.
- 2 If more technical information is needed, you can contact with our sales representatives.

5 Circuit installation A



6 Circuit installation B

